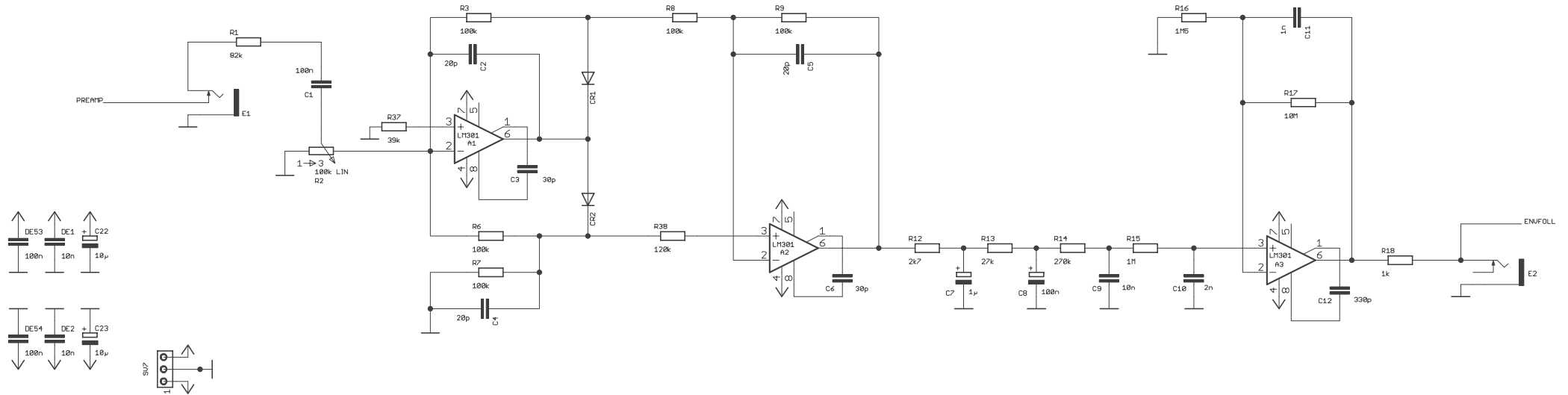


# PRE-AMP & ENVELOPE FOLLOWER

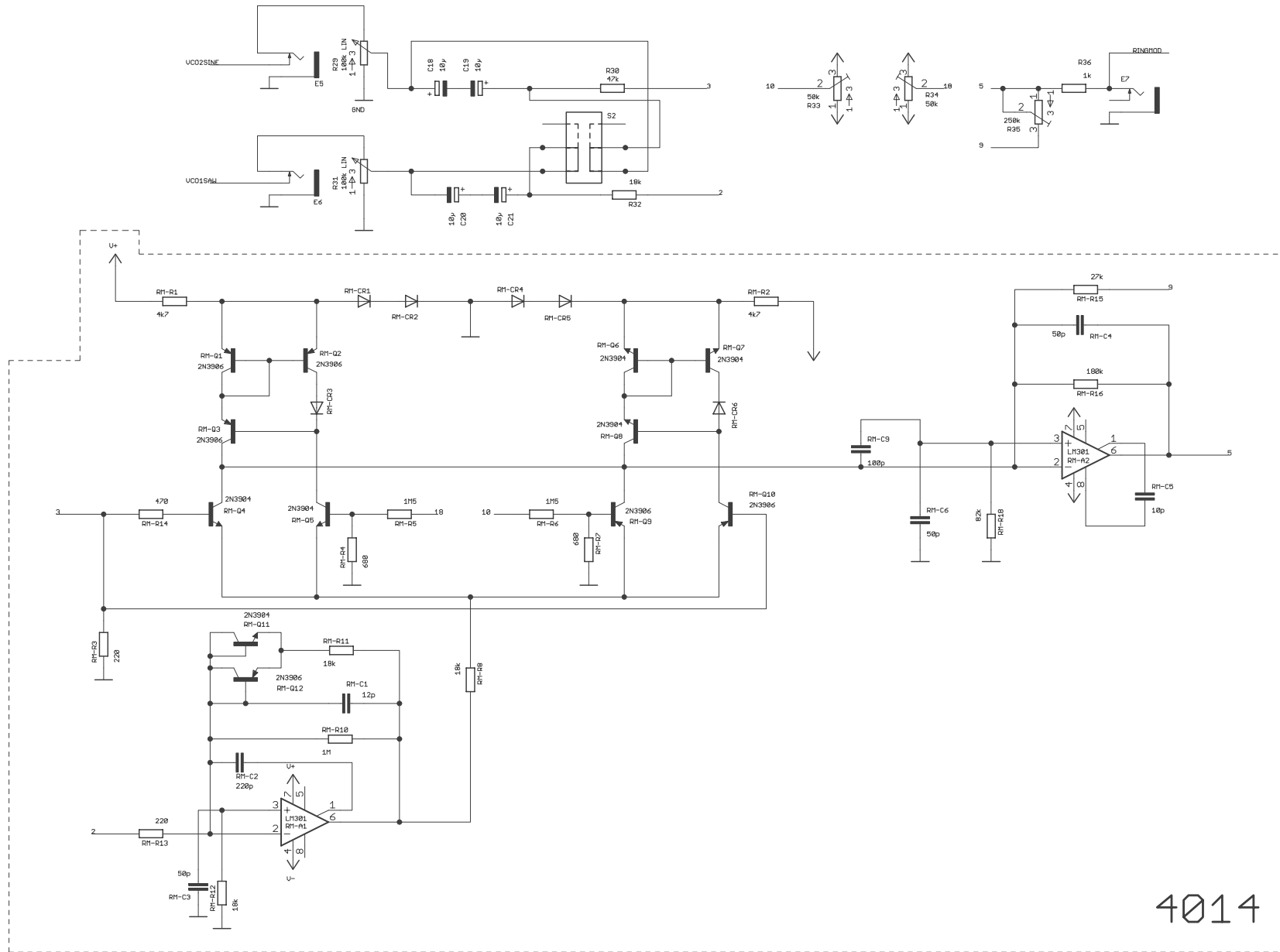


**NOTE**  
All reference designators as per the ARP2600 service manual, to the extent possible.  
Symbol references are as follows -

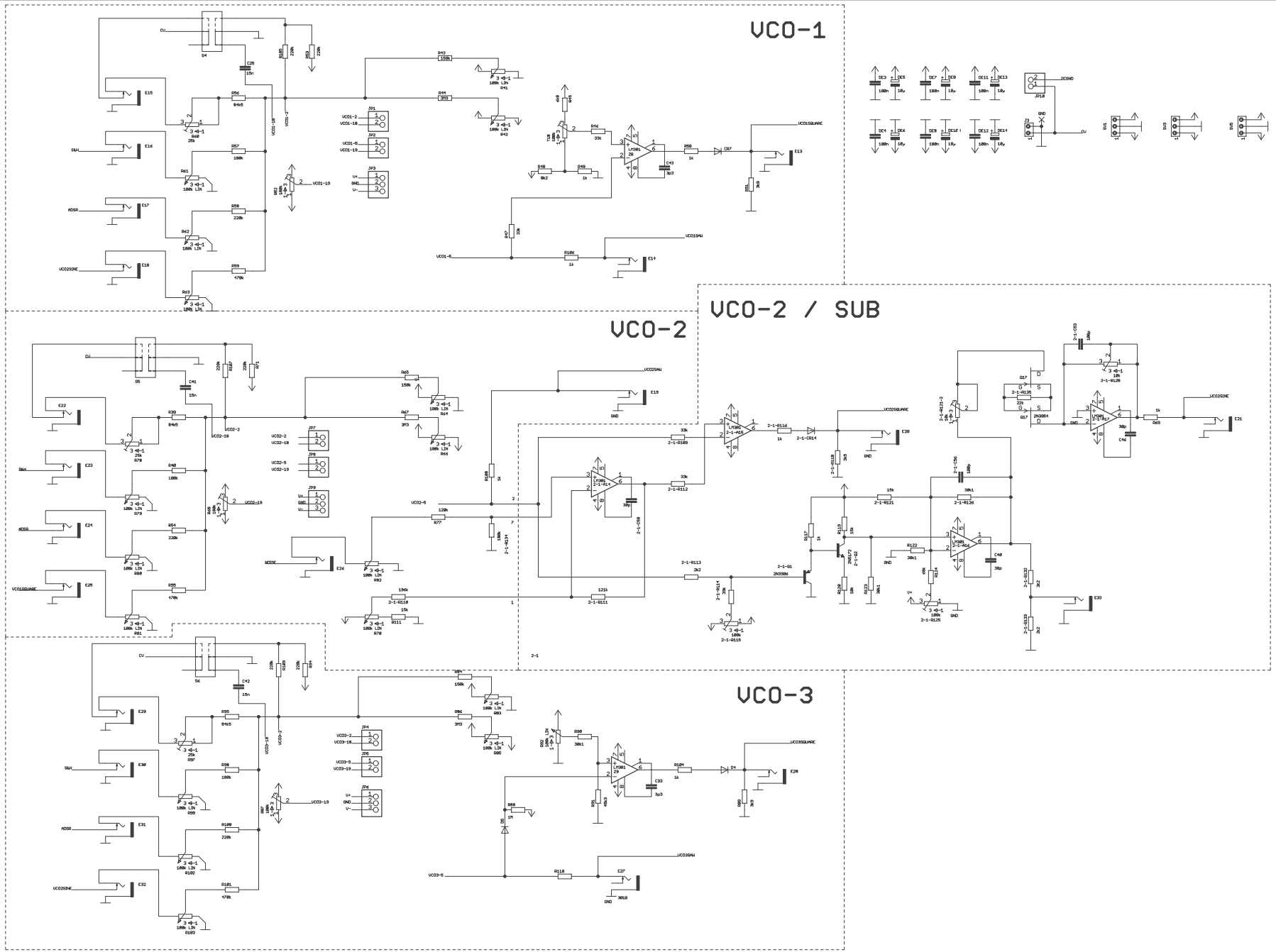
- V+    ↑
- GND    ⊥
- V-    ↓

All diodes 1n4148 except where noted.  
Wires that end with in a name connect to the wires with the same name.  
All capacitors named DEx are for decoupling, and not part of the original circuit.

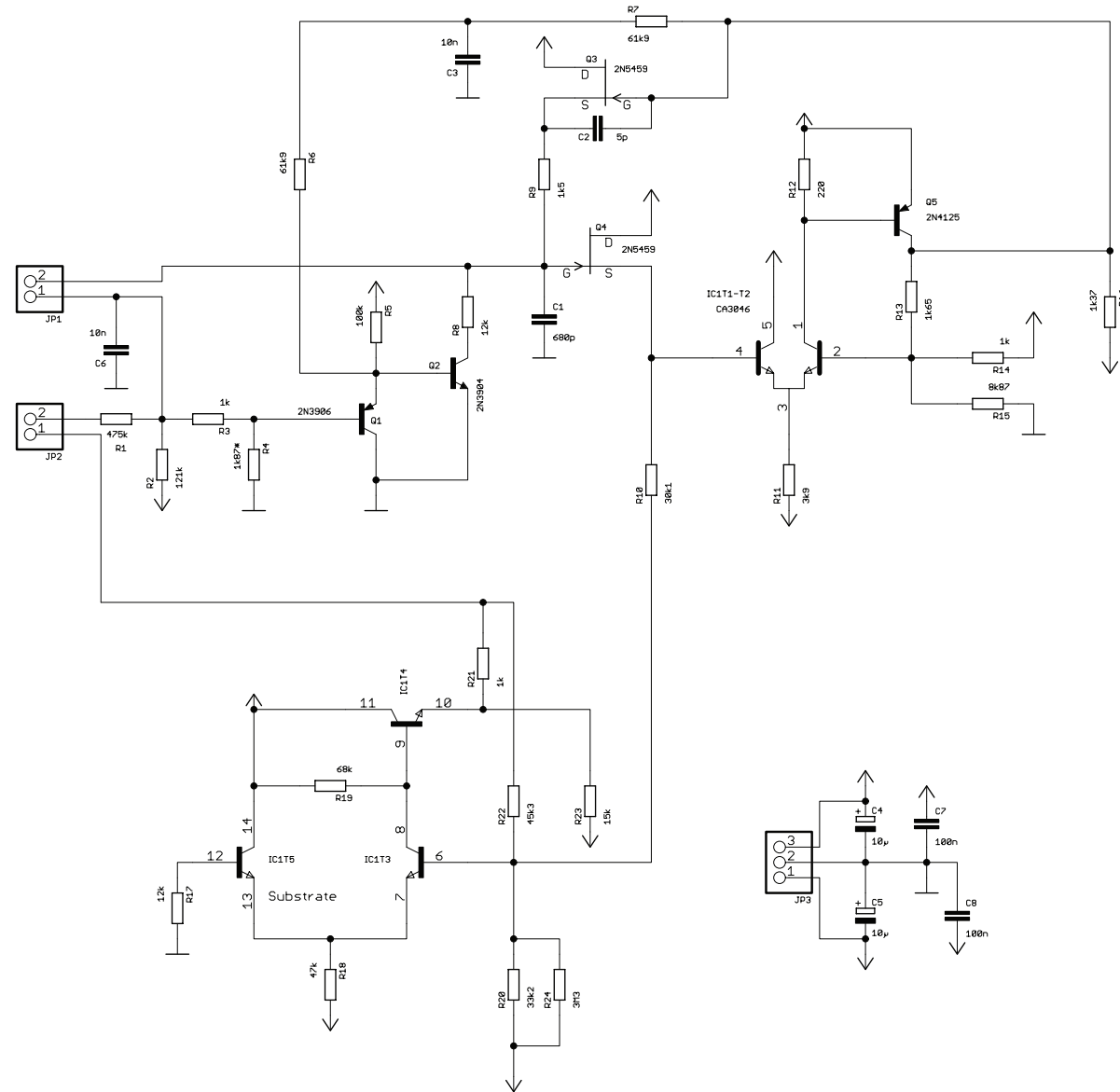
# RING MODULATOR



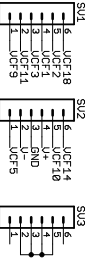
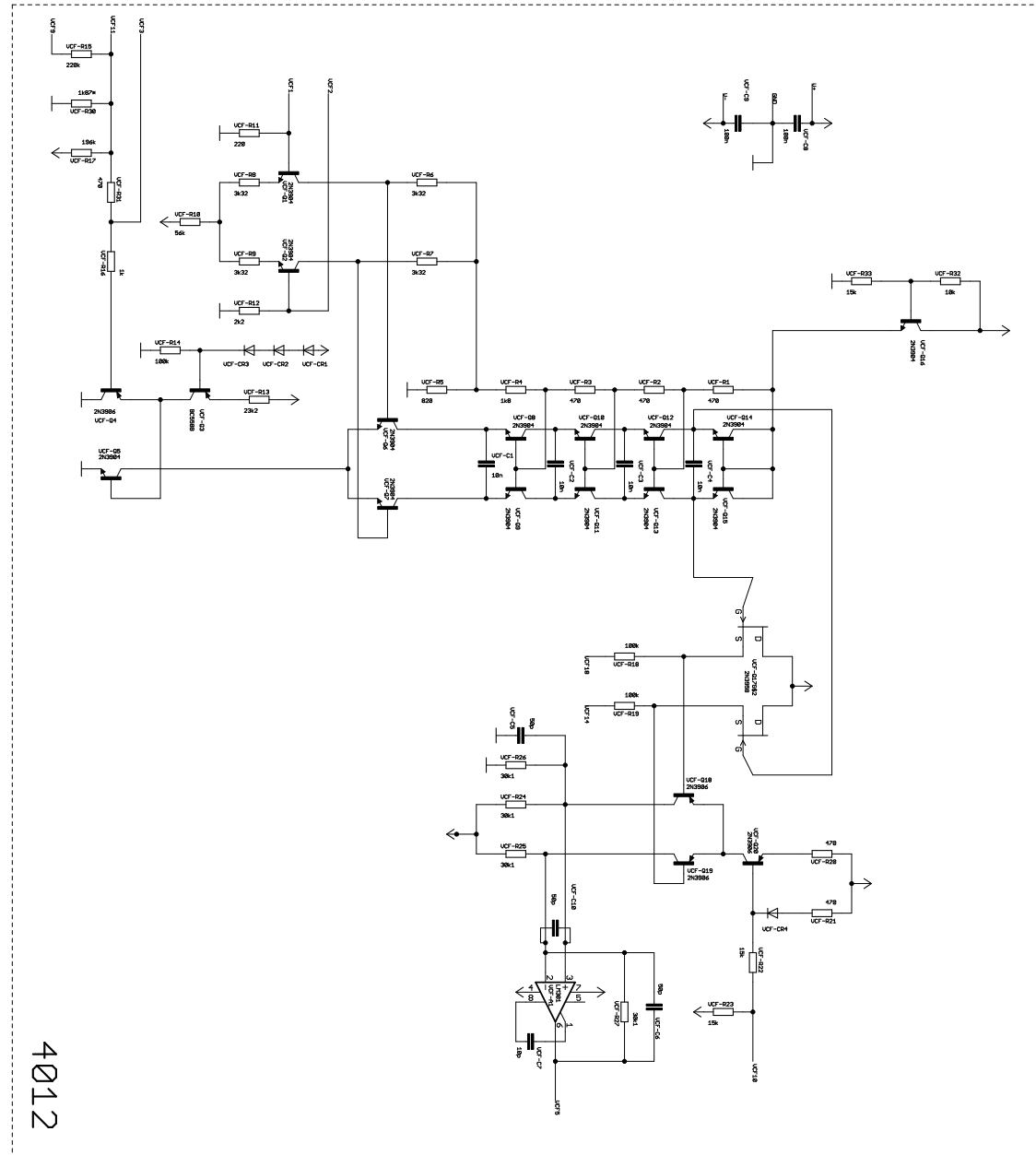
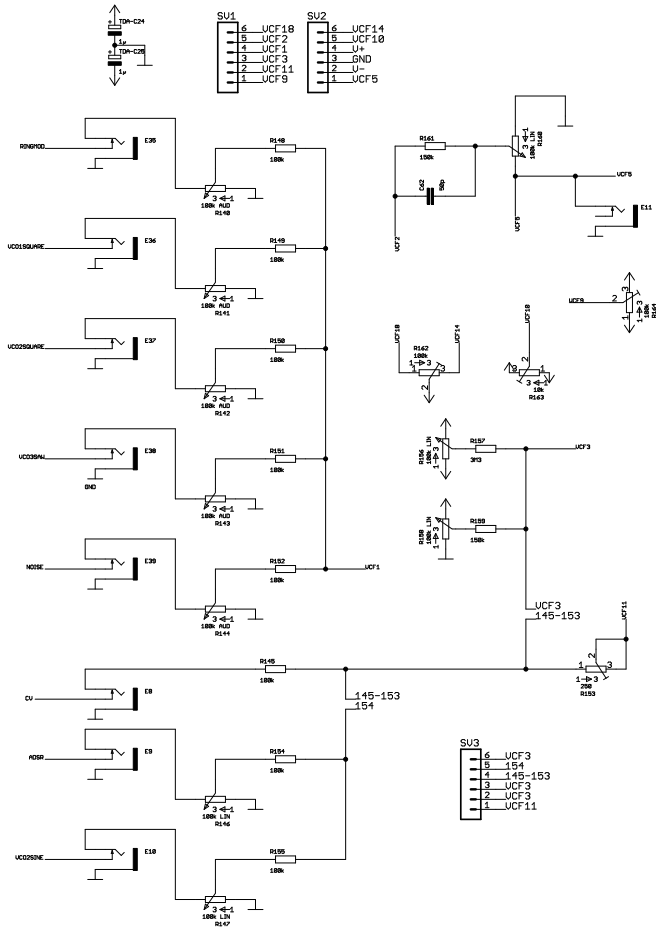
# VCO 1-3



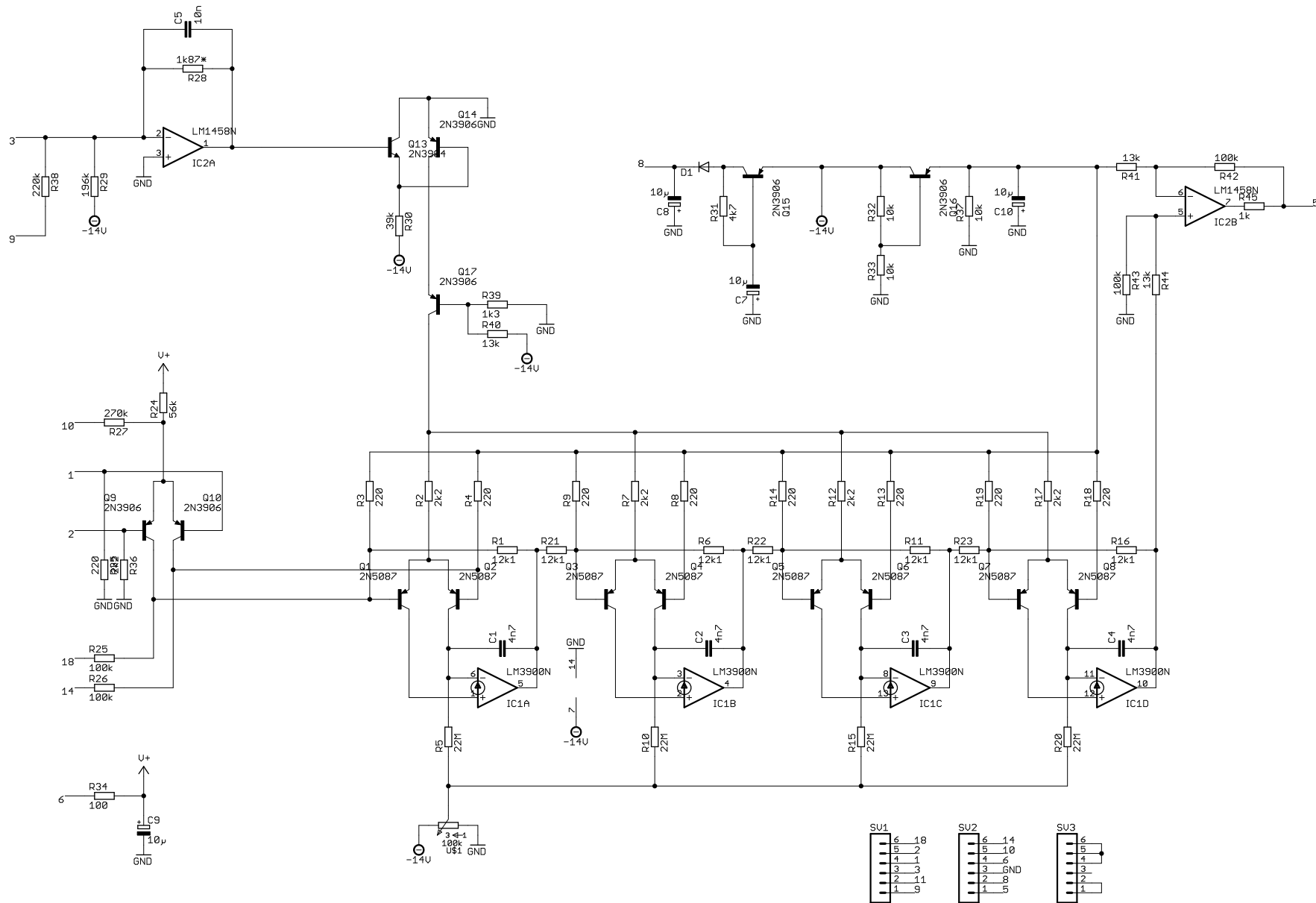
# 4027-1 OSCILLATOR SUB BOARD



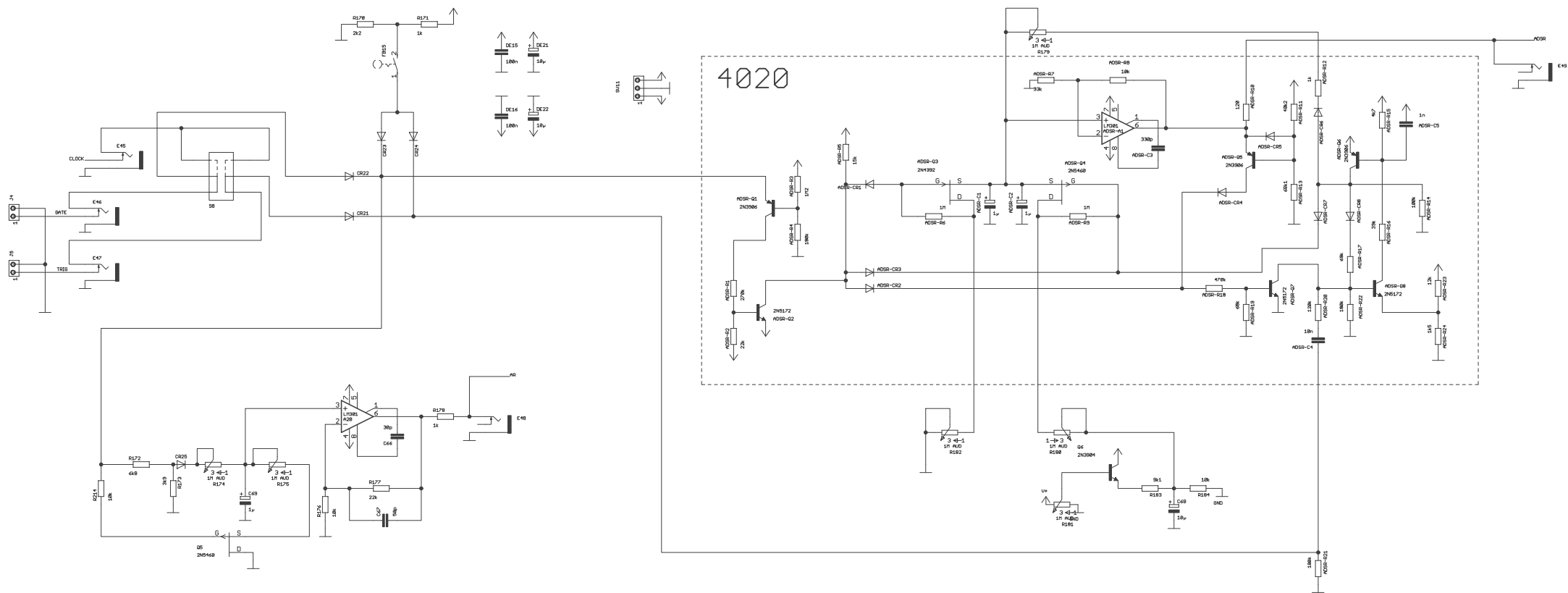
# 4012 FILTER

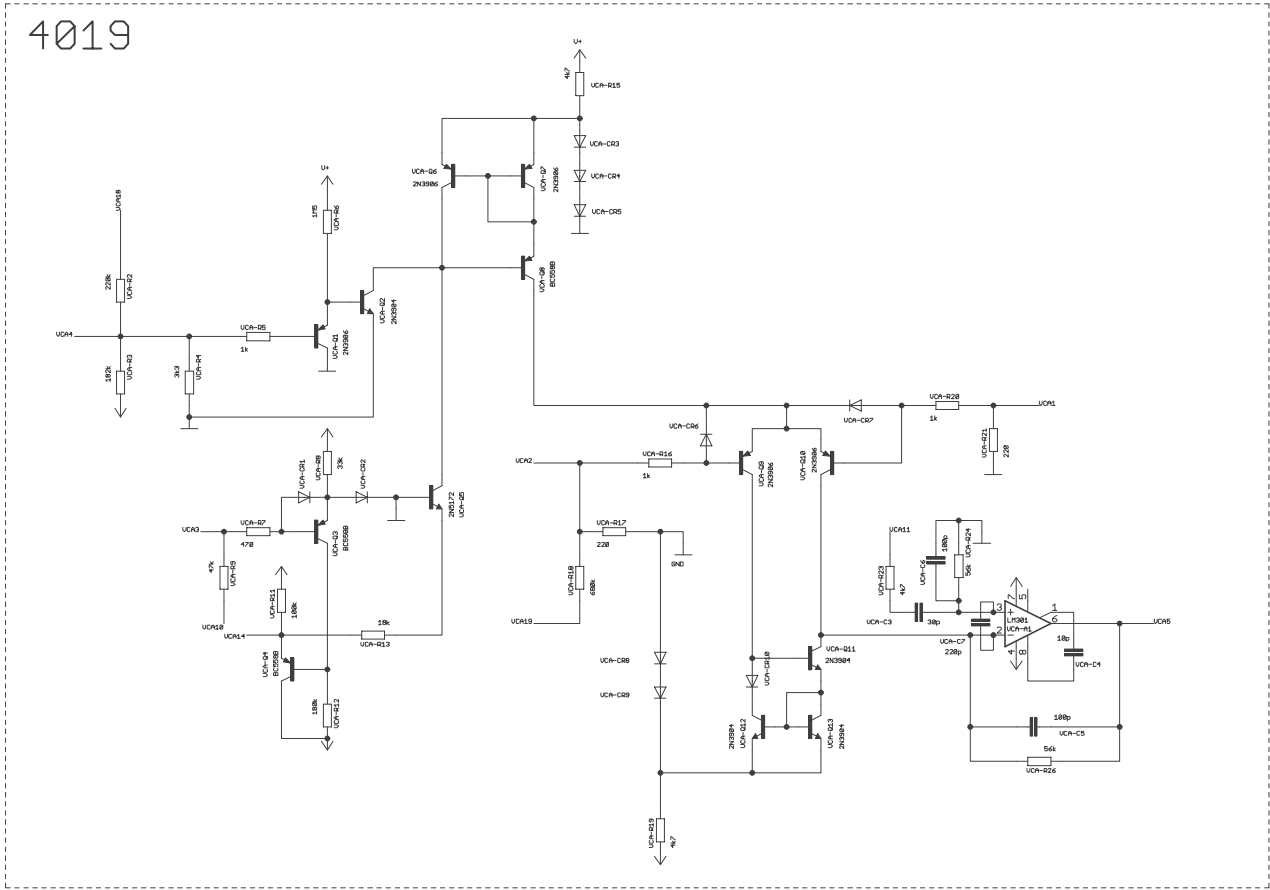
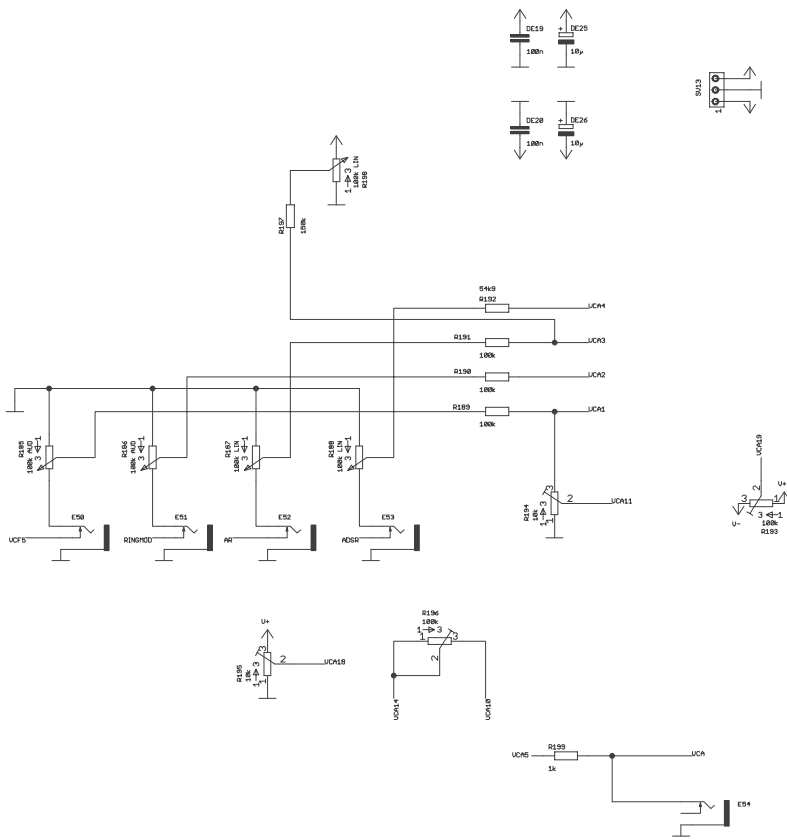


# 4072 FILTER



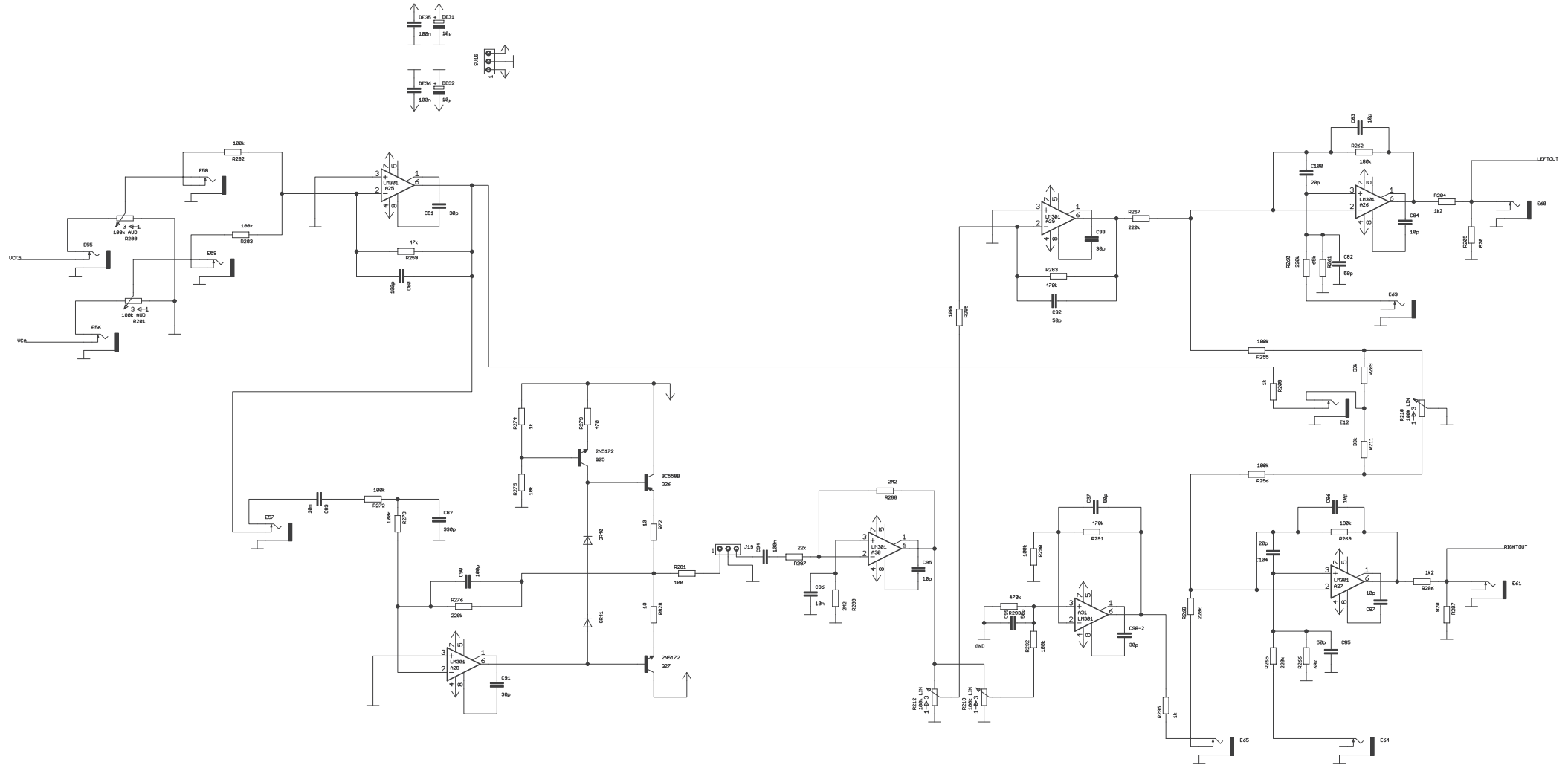
# ADSR & AR



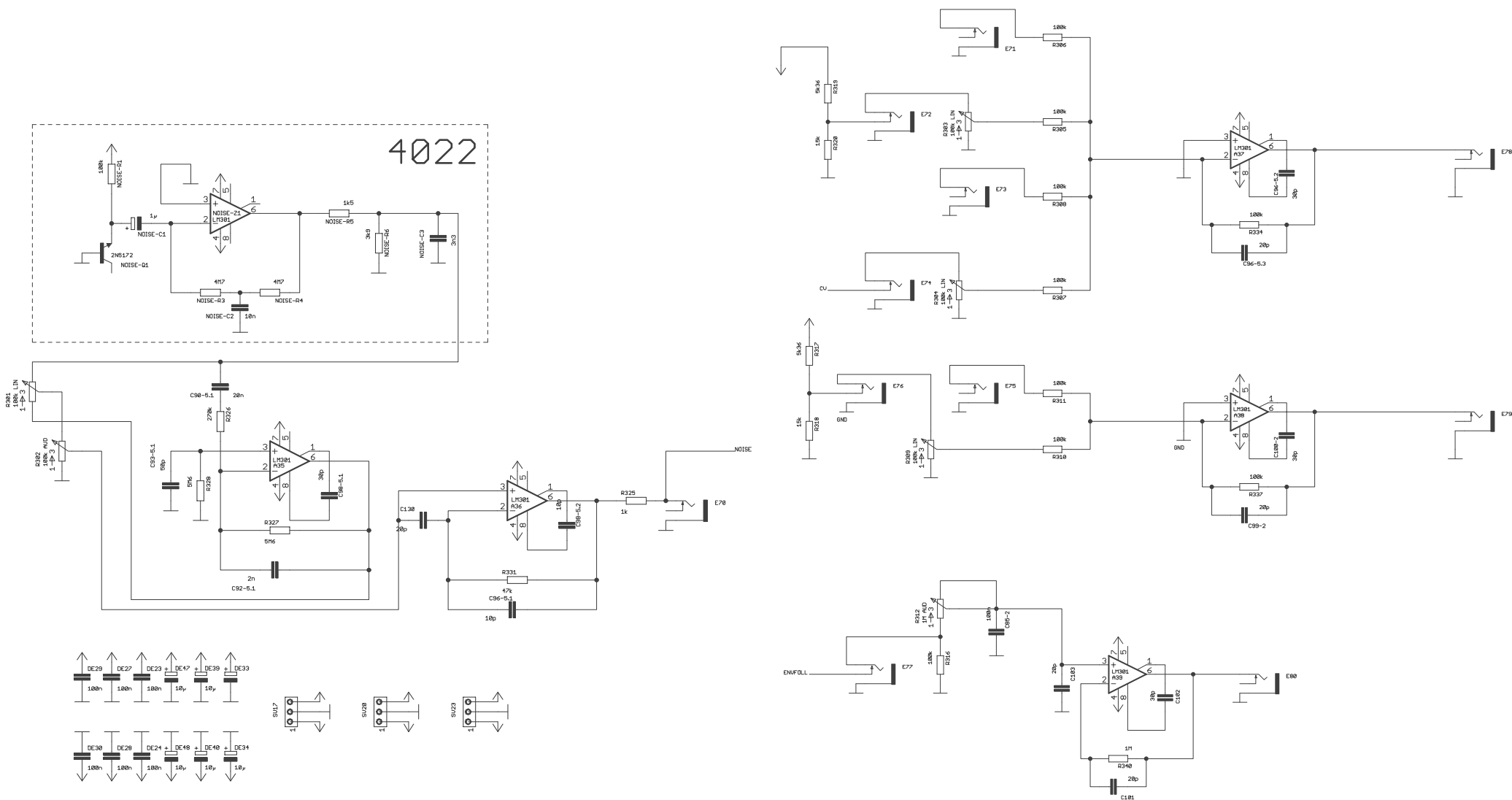




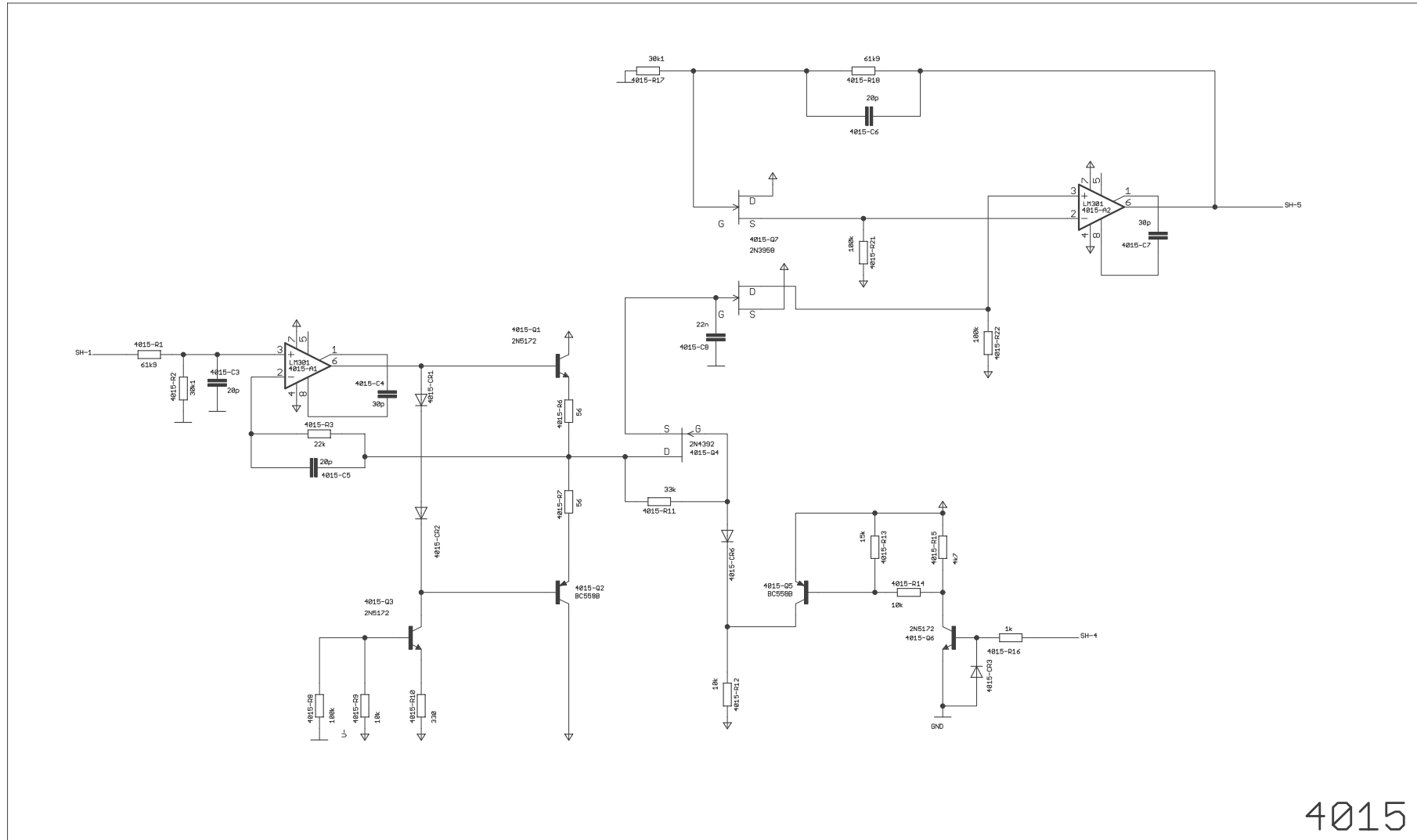
# MIXER & SPRING REVERB



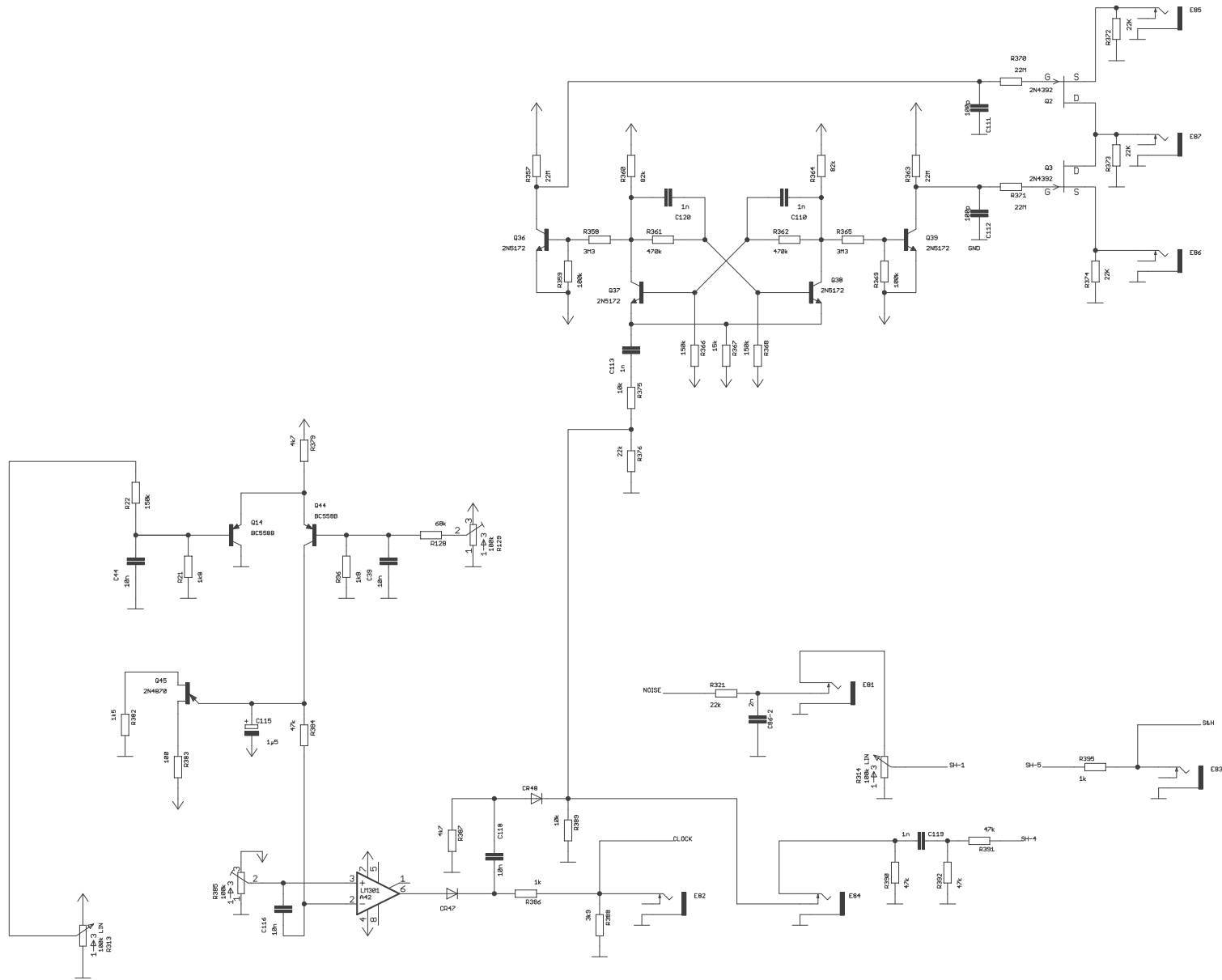
# NOISE & VOLTAGE PROCESSOR



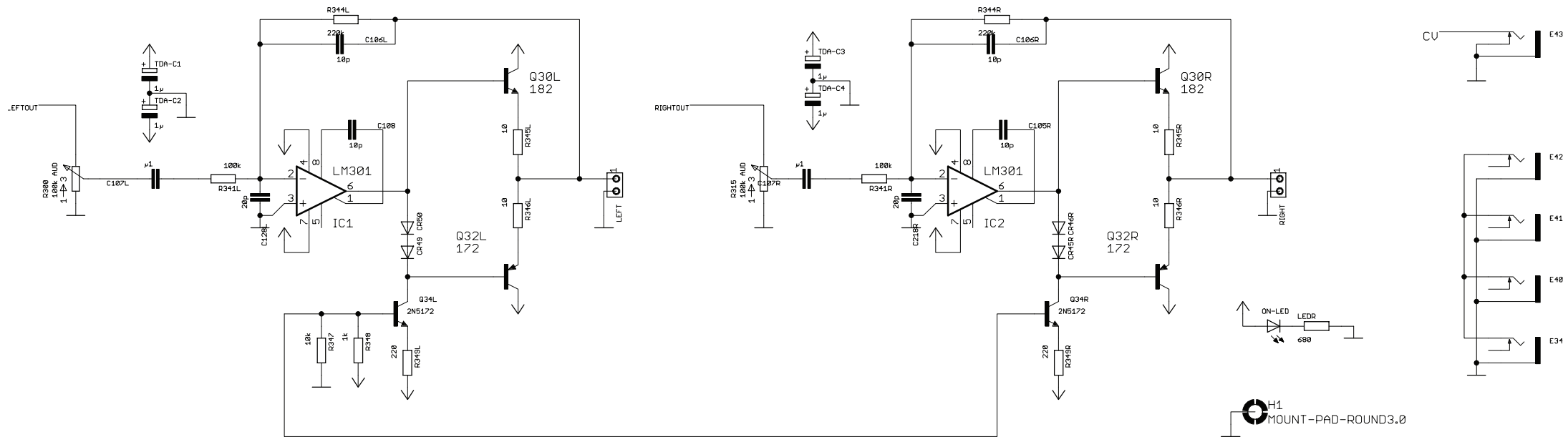
# SAMPLE AND HOLD



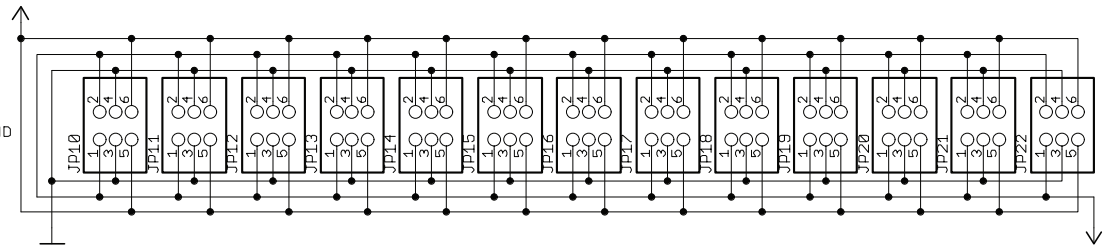
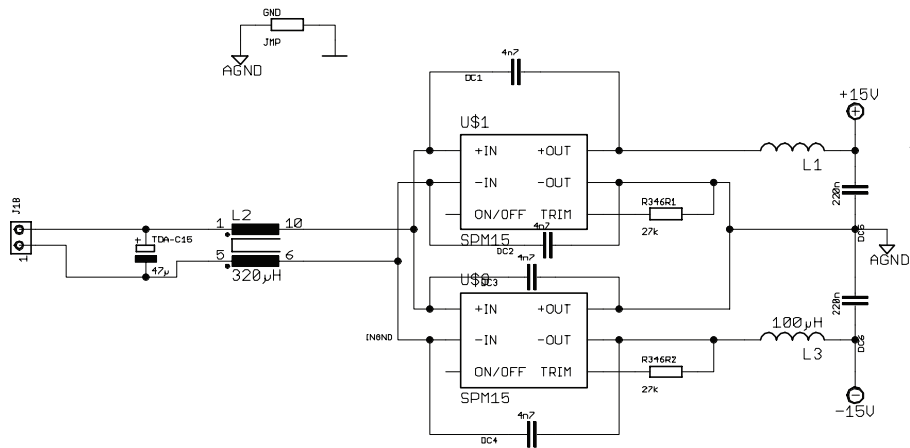
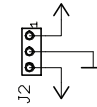
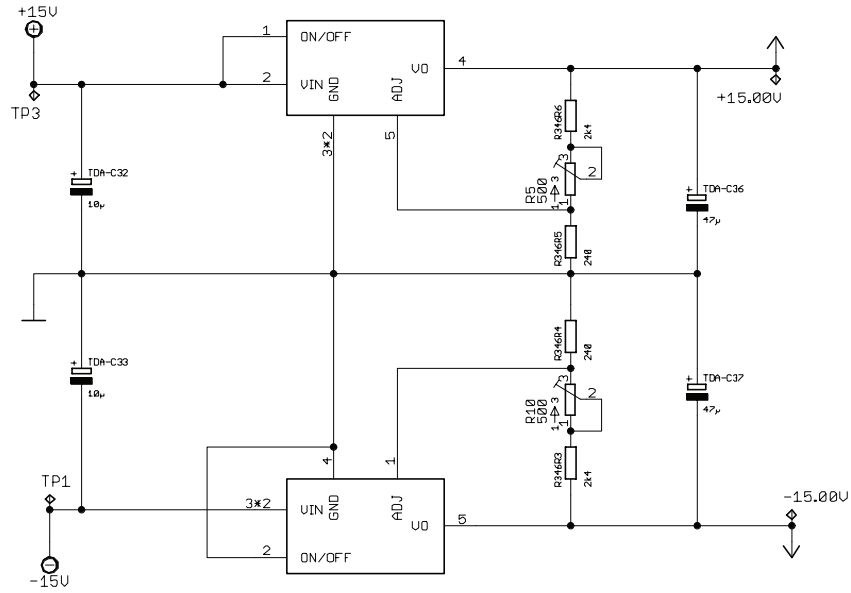
# INTERNAL CLOCK & ANALOG SWITCH



# SPEAKER AMPLIFIERS



# POWER SUPPLY



# LED DRIVER & LEDS

